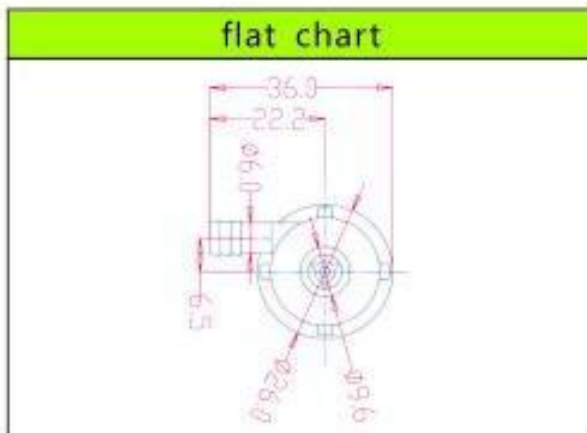


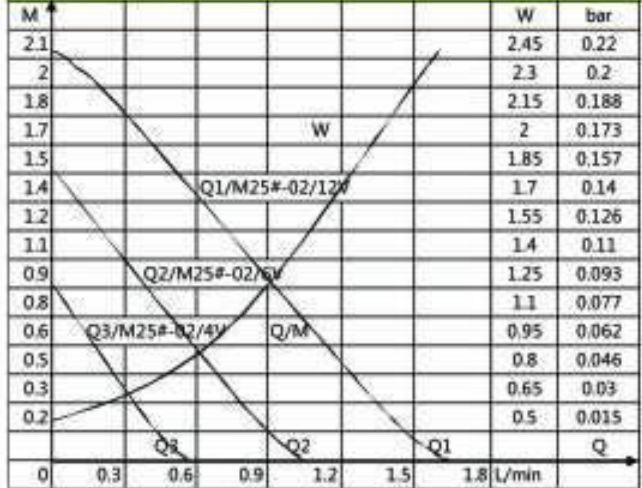
25-02 brushless DC mini pump for coffee machine/water dispenser



● Pump specifications:

Character	Model	25-02						
Working voltage range		4VDC-12VDC						
Max-static water head		2M±10%						
Max-static flow rate		2L/min±10%						
Life span		Continuous operation under normal working condition ≥ 20000hours						
Working environment		Environment temperature < 80°C PH value: PH4-10 Can work both on land and in water.						
Max noise		Continuous operation under normal working condition(Measures from 1meter distance between the pump noise body to the test equipment) < 32dB ± 10%						
Max working temperature		(aqueous solution)fluid medium temperature < 100°C						
Application		Coffee machine, coffee maker, coffee cup, water dispenser, juice machine, juice extractor, tabletop fountains, aquarium, ect						
Structure			corrosion-proof category	Inlet		Outlet		Remarks
Length(mm)	Width(mm)	Height(mm)		OD(mm)	ID(mm)	OD(mm)	ID(mm)	
35	25.5	35	IP68	9.5	6.5	7	3.5	Inlet and Outlet has non-slip insert.

● 25-02 brushless DC pump character(single phase)



①Notice:
 M: water head: meter.
 Q/M: Curve of water flow.
 L/min: flow rate per minute.
 W: Curve of power.
 L: liter.
 bar: pressure.

②Electrical parameters:
 Voltage(V): 4VDC;6VDC;12VDC
 Max-static water head(M): ≥ 2M (It measures at zero flow rate that the water goes upto its max height)
 Max-static flow rate(Q): ≥ 1.8L/min (It measures at zero waterhead height)
 Max-noise(dB): ≤ 32DB (Measures from 1meter distance between the pump noise body to the test equipment.)
 Max-input power(W): ≤ 2.5W

③For more details, please refer to the test report when we arrange delivery.