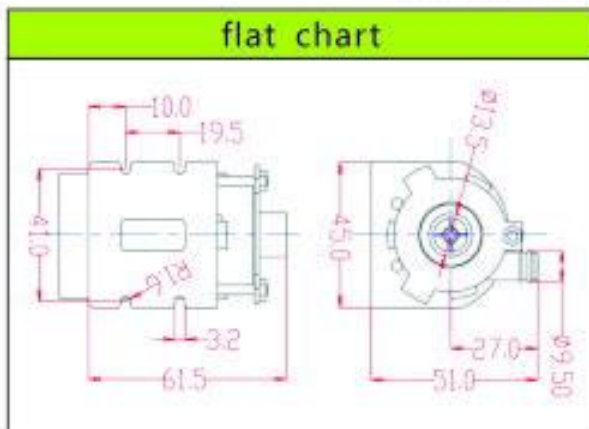


38-01 brushless DC pump for water coolant of electronic refrigerator

flat chart



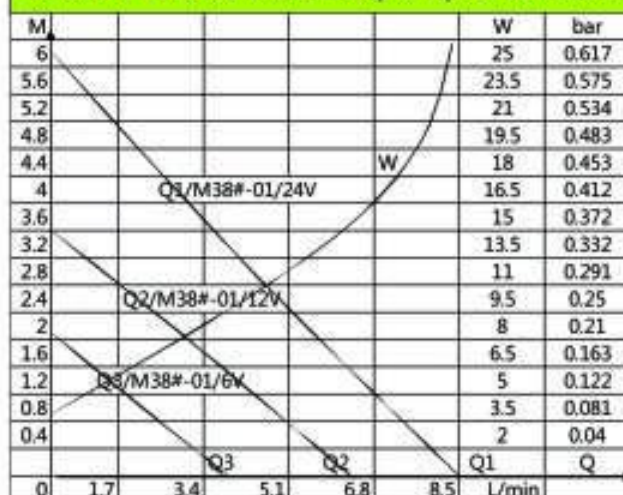
finished product chart



● Pump specifications:

Character	Model	38-01						
Working voltage range		6VDC-24VDC						
Max-static water head		6M±10%						
Max-static flow rate		8.5L/min±10%						
Life span		Continuous operation under normal working condition ≥ 20000hours						
Working environment		Environment temperature < 50°C PH value: PH5-10 <small>It should work on land (NON submersible).</small>						
Max noise		Continuous operation under normal working condition (Measures from 1meter distance between the pump noise body to the test equipment) < 40dB±10%						
Max working temperature		(aqueous solution) fluid medium temperature < 70°C						
Application		Water coolant of electronic refrigerator and computer, water dispenser, home appliance, air cleaner, air-conditioning, washing machine, moistening machines, Solar water circulation system, small fountain, small aquarium, flower and plant watering, footbath, ect.						
Structure			corrosion-proof category	Inlet		Outlet		Remarks
Length(mm)	Width(mm)	Height(mm)		OD(mm)	ID(mm)	OD(mm)	ID(mm)	
70	45	51	IP65	13.5	8	9.5	6.5	Outlet has non-slip insert

● 38-01 brushless DC pump character (single phase)



① Notice:
M: water head: meter.
Q/M: Curve of water flow.
L/min: flow rate per minute.
W: Curve of power.
L: liter.
bar: pressure.

② Electrical parameters:
Voltage(V): 6VDC; 12VDC; 24VDC
Max-static water head(M): ≥ 6M (It measures at zero flow rate that the water goes up to its max height)
Max-static flow rate(Q): ≥ 8.5L/min (It measures at zero water head height)
Max-noise(dB): ≤ 40DB (Measures from 1meter distance between the pump noise body to the test equipment.)
Max-input power(W): ≤ 25W

③ For more details, please refer to the test report when we arrange delivery.