



# Max Motor Motion Co.,Ltd

Tel : +86-755-84679112 Fax: +86-755-89361286  
 Email: [max@maxmotor.com](mailto:max@maxmotor.com) Website: [www.max-motor.com](http://www.max-motor.com)  
 Add: 15# Bld, Xinhel#1 RD, Pinghu avenue, Pinhu, Shenzhen, China Factory

## SPECIFICATION

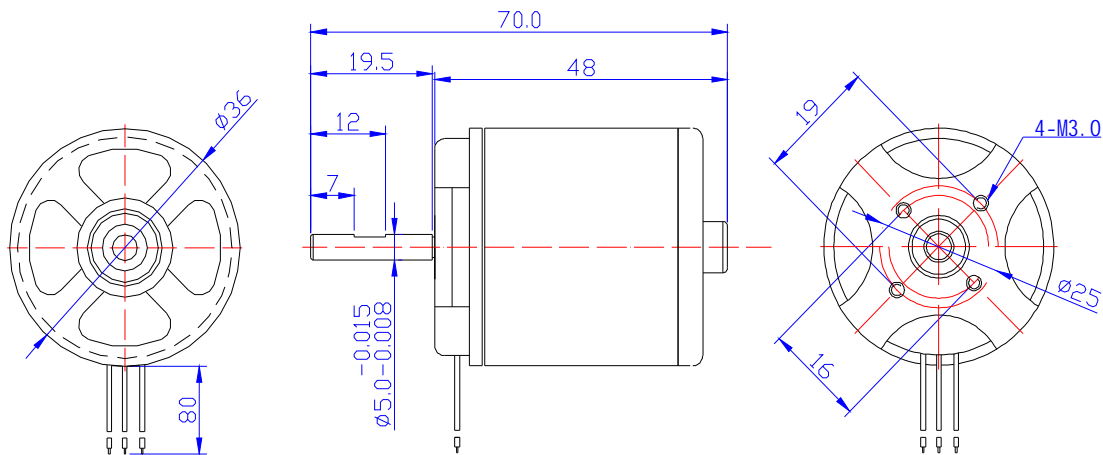
MODEL: Brushless Motor MB-D3648-600

TYPE: Out Runner

### Out runner BLDC critical Parameters

- Out runner configuration-rotor runs outside of stator
- 14 pole (7 pole pairs)
- DC bus voltage is to be determined. Will be operated on 12VDC.
- Ambient temperature 70°C
- Model D3648-600
- Approximate dimensions

- Diameter -- 36.50mm, 1.44in
- Length-- 48.00mm, 1.89in



- Voltage Constant 600RPM/volt, 1.667 volt/k RPM
- Approximate Torque Constant 0.081NM/Amp, 11.44 Oz-in /Amp
- Motor Weight Approximate 180 g

### Out runner BLDC critical Parameters



600 RPM/volt Brushless Motor 12.0V Oriented Controller  
(10 Amps RMS)

