

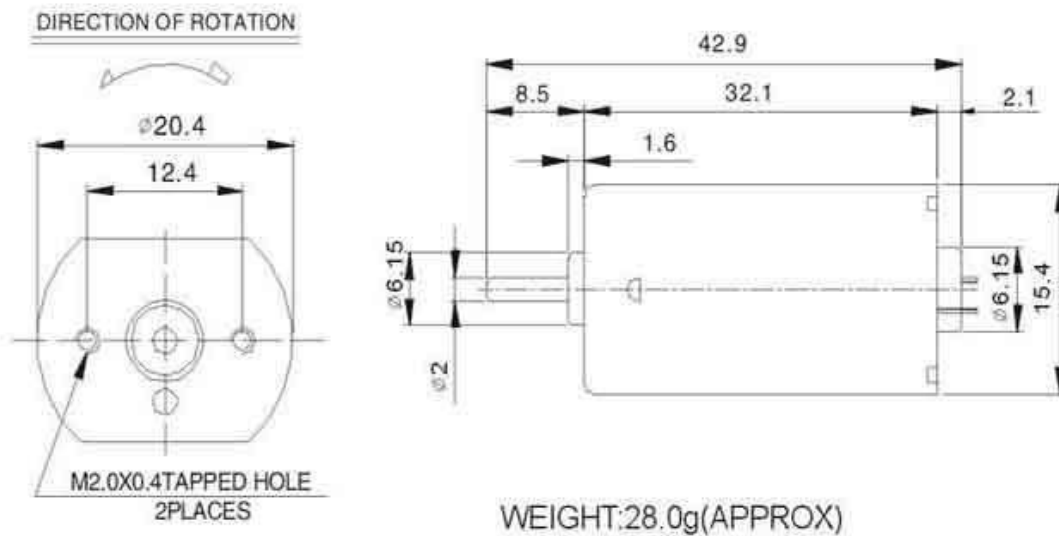
MD-F180H DC Motor



Main Voltage: 3V 4.5V 6V

Typical Application: CAR lamp rotator, Electric Tooth brush
Car door lock, office equipments etc

Motor Drawing



Motor data:

MODEL	VOLTAGE		NO LOAD		AT MAXIMUM EFFICIENCY				STALL			
	OPERATING RANGE	RATED	SPEED	CURRENT	SPEED	CURRENT	TORQUE	OUTPUT	TORQUE	CURRENT		
	V	V	rpm	A	rpm	A	g.cm	W	g.cm	mNm	A	
MD-F180H	1.0 - 1.5	1.2	3300	0.34	6900	1.43	19	1.36	1.3	113	11.1	6.5
MD-F180H	1-3	2.4	7300	0.17	6700	0.77	19	1.06	1.3	147	14.1	3.5

