

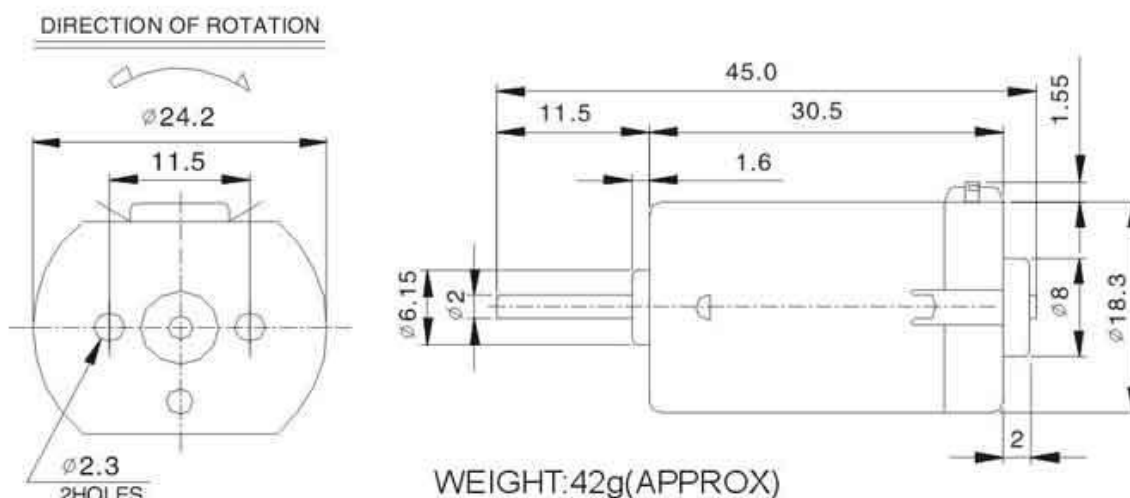
MD-F280 DC Motor



Main Voltage: 3V 4.5V 6V

Typical Application: Car lamp rotator, Electric Tooth brush
Car door lock, office Equipments etc.

Motor Drawing



Motor data:

MODEL	VOLTAGE		NO LOAD		AT MAXIMUM EFFICIENCY				STALL			
	OPERATING RANGE	RATED	SPEED	CURRENT	SPEED	CURRENT	TORQUE	OUTPUT	TORQUE	CURRENT		
	V	V	rpm	A	rpm	A	g.cm	mN.m	W	g.cm	mN.m	A
MD-F280	5-7	6	15250	0.348	12440	1.54	35.9	3.52	1.6	195	19.1	6.84
MD-F280	3-6	6	7800	0.085	6600	0.51	27	2.64	1.33	175	17.2	2.85

