

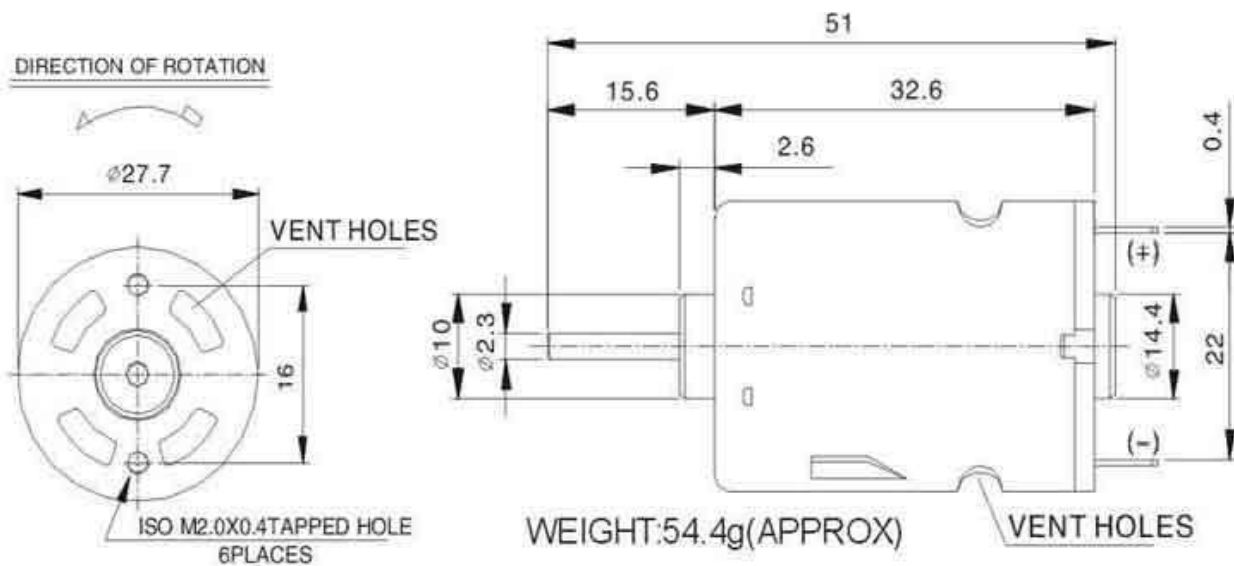
MD-RS360/5 DC Motor



Main Voltage: 4.5V 6V 12v 18v 24v

Typical Application: Hair dryer, water pump, USB vacuum cleaner, home appliance, etc.

Motor Drawing



Motor data:

MODEL	VOLTAGE		NO LOAD		AT MAXIMUM EFFICIENCY				STALL			
	OPERATING RANGE	RATED	SPEED	CURRENT	SPEED	CURRENT	TORQUE		OUTPUT	TORQUE		CURRENT
	V	V	rpm	A	rpm	A	g.cm	mN.m	W	g.cm	mN.m	A
MD-RS360	6~20	18	13150	0.22	11200	1.3	50	4.9	5.9	338	33.1	7.8
MD-RS360	12~24	24	9300	0.072	7600	0.32	51	5.0	4.0	280	27.44	1.5
MD-RS360	12~24	12	7700	0.11	6000	0.41	35	3.4	2.2	164	16.1	1.5
MD-RS360	6~20	18	27500	0.16	23000	2.4	105	10.3	24.8	644	63.1	12.6

