

MD-RS380/5 DC Motor

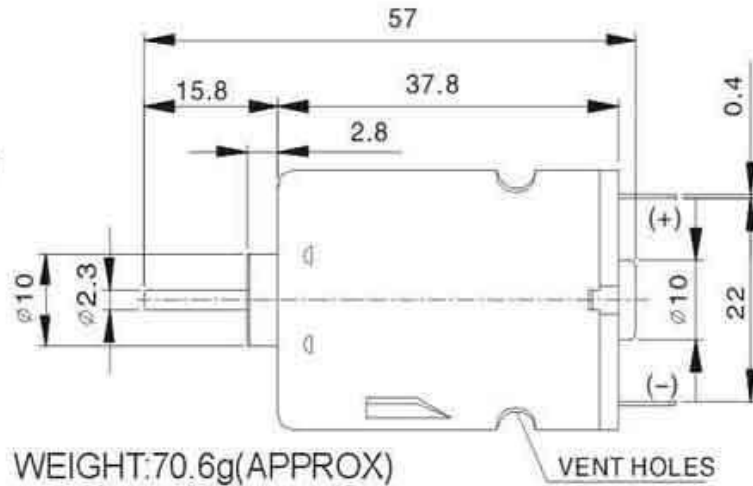
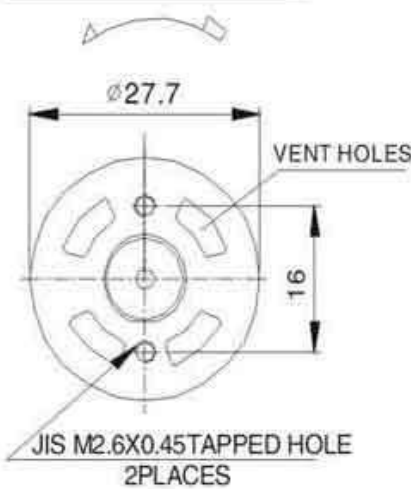


Main Voltage: 4.5V 6V 12v 18v 24v

Typical Application: Hair dryer, water pump, USB vacuum cleaner, home appliance, etc.

Motor Drawing

DIRECTION OF ROTATION



WEIGHT: 70.6g (APPROX)

Motor data:

MODEL	VOLTAGE		NO LOAD		AT MAXIMUM EFFICIENCY					STALL		
	OPERATING RANGE	RATED	SPEED	CURRENT	SPEED	CURRENT	TORQUE		OUTPUT	TORQUE		CURRENT
	V	V	rpm	A	rpm	A	g.cm	mN.m	W	g.cm	mN.m	A
MD-RS380	3-9	6	5000	0.23	3800	0.72	55.5	5.4	2.2	230	22.5	2.3
MD-RS380	6-24	12	4500	0.13	3200	0.3	36	3.5	1.2	120	11.7	0.7
MD-RS380	6-24	12	27500	0.31	23250	4.6	92.6	9.0	22.5	600	58.8	25.2
MD-RS380	12-24	24	19000	0.25	15900	1.3	95.3	9.3	16	600	58.8	7

