

MD-RS540/5 DC Motor

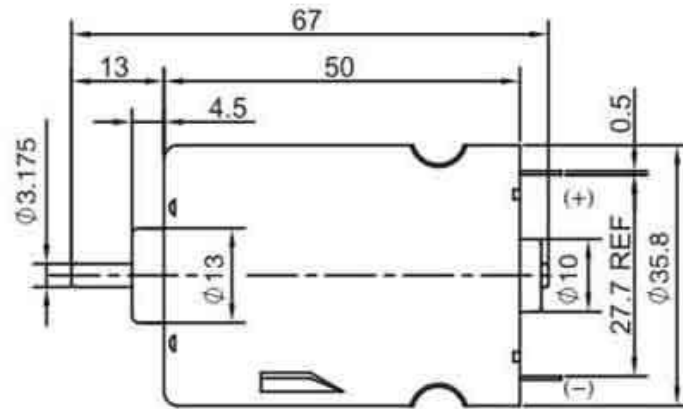
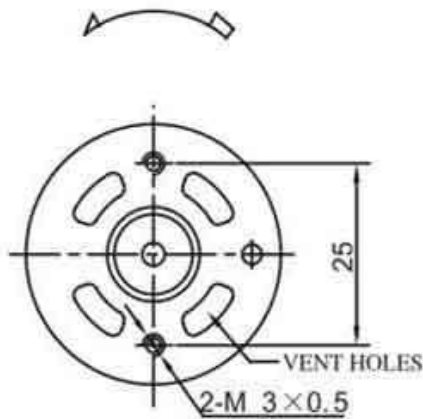


Main Voltage: 4.5V 6V 12v 18v 24v

Typical Application: Hair dryer, water pump, USB vacuum cleaner, home appliance, Massager, etc.

Motor Drawing

DIRECTION OF ROTATION



WEIGHT:160g(APPROX)

Motor data:

MODEL	VOLTAGE		NO LOAD		AT MAXIMUM EFFICIENCY					STALL		
	OPERATING RANGE	RATED	SPEED	CURRENT	SPEED	CURRENT	TORQUE	OUTPUT	TORQUE	CURRENT		
	V	V	rpm	A	rpm	A	g.cm	mN.m	W	g.cm	mN.m	A
MD-RS540H	4.5-15	6	3100	0.27	2470	1.1	101	9.9	2.6	500	49	4.2
MD-RS540H	12-24	12	3300	0.22	2580	0.8	158	15.5	4.2	730	70.8	2.9

