

MD-RS750/5PH DC Motor

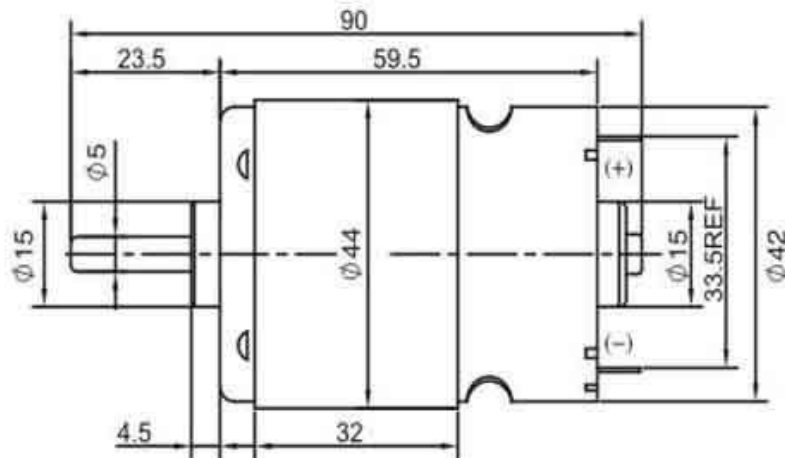
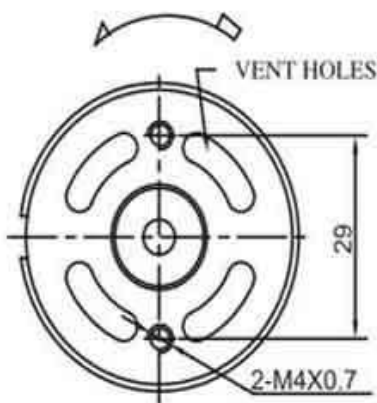


Main Voltage: 6V 12v 18v 24v

Typical Application: Garden tool, power tools, vacuum cleaner, driller, blender, Massager, etc.

Motor Drawing

DIRECTION OF ROTATION



WEIGHT: 253.3g (APPROX)

Motor data:

| MODEL | VOLTAGE | | NO LOAD | | AT MAXIMUM EFFICIENCY | | | | | STALL | | |
|------------|-----------------|-------|---------|---------|-----------------------|---------|--------|--------|--------|---------|-------|----|
| | OPERATING RANGE | RATED | SPEED | CURRENT | SPEED | CURRENT | TORQUE | OUTPUT | TORQUE | CURRENT | | |
| | V | V | rpm | A | rpm | A | g.cm | mN.m | W | g.cm | mN.m | A |
| MD-RS750PH | 3-10 | 6 | 13200 | 1.95 | 11400 | 12.5 | 470 | 46 | 54.8 | 3470 | 340 | 80 |
| MD-RS750PH | 8.4-24 | 12 | 6500 | 0.50 | 5400 | 2.5 | 337 | 33 | 18.8 | 2060 | 201.9 | 13 |

