

MP-28PG Planetary Gear motor



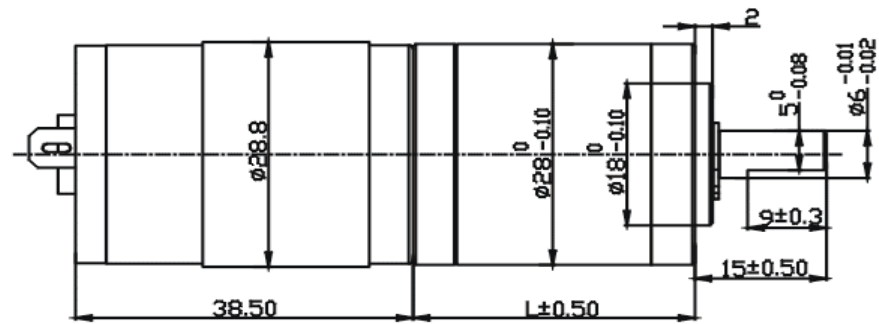
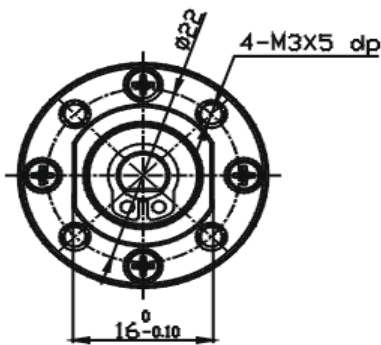
Main voltage: 3VDC, 6VDC, 9VDC, 12VDC, 24VDC,

Typical applications: Peristaltic pump, Micro CNC equipment, ATM bank automatic system, Card conveyors, Auto shutter, Binding machine, Mimeograph, Office equipment, Household appliances, Automatic actuator.

Weight: 180~220g/pcs(approx)

Packing details: CTN size: 36.5X31XH17cm 60pcs/CTN G.W.12Kgs

APPEARANCE SIZE



Gearbox data:

Number of stages	1 stages reduction	2 stages reduction	3 stages reduction	4stages reduction	5stages reduction
Reduction ratio	3.35, 4.63	11.22, 15.51, 21.44	37.60, 51.96, 71.81, 99.25,	125.94, 174.07, 240.58, 332.50, 459.54,	421.91, 583.12, 805.93, 1113.87, 1539.46, 2127.67,
Gearbox length "L" mm	20.2	25.9	31.7	37.5	43.3
Max. Running torque	2.0Kgf • cm	3.0Kgf • cm	4.0Kgf • cm	6.0Kgf • cm	10Kgf • cm
Max. Gear breaking torque	6.0Kgf • cm	9.0Kgf • cm	12Kgf • cm	18Kgf • cm	30Kgf • cm
Max. Gearing efficiency	90%	81%	73%	65%	59%

Motor data:

Motor name	Rated Volt. V	No load		Load torque				Stall torque	
		Current	Speed	Current	Speed	Torque	Output power	Torque	Current
		mA	r/min	mA	r/min	gf • cm	W	gf • cm	mA
RS-385123000	12	≤45	3000	≤150	2200	35	0.8	140	450
RS-385124500	12	≤70	4500	≤300	3300	55	1.8	220	1200
RS-385126000	12	≤100	6000	≤600	4500	80	3.6	320	1900
RS-385243000	24	≤25	3000	≤70	2200	35	0.8	140	230
RS-385244500	24	≤40	4500	≤150	3300	55	1.8	220	600
RS-385246000	24	≤50	6000	≤300	4500	80	3.6	320	1000

1. This table lists some motors parameters, others please refer to specific parameters of Page 143.
2. After connecting motor and gearbox which is named gearmotor the output torque: motor torque X reduction ratio X gearing efficiency; output speed: motor speed / reduction ratio.

NOTE:

1. Gearmotor named methods: e.g. **MP-28PG385123000-90k** Motor please refer to the motor data RS-385123000. Gearbox please refer to gearbox data reduction ratio 90. Related to gearmotor output speed and torque please refer to motor data.
2. Motor can be installed with magnetic encoder, encoder parameters please refer to Page 139.
3. Standard output shaft after reducing: Φ6.0mm. other sizes of the output shaft can make as client request.
4. Chart only for reference, products shall prevail the entity.