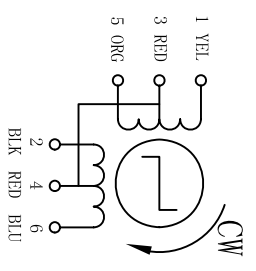
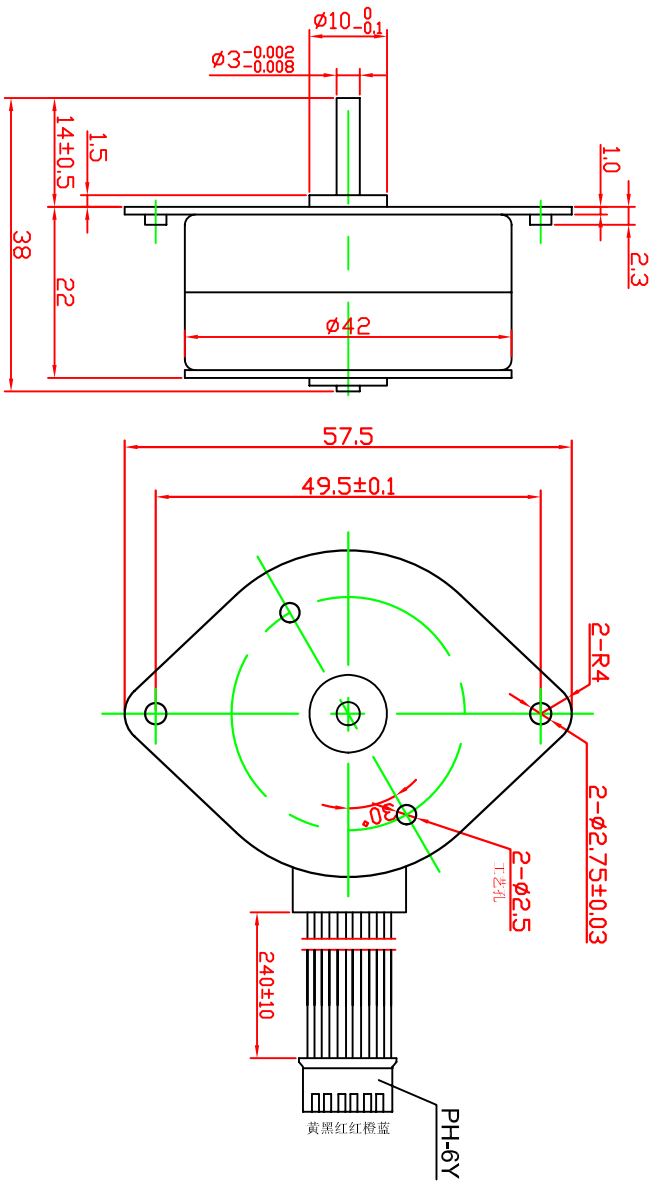


| NO. | 项目 Item | 规格 Specification | 条件 Condition |
|-----|------------------------------------|-----------------------|-----------------|
| 1 | 分配方式 Excitation | 2-2 | |
| 2 | 额定电压 Rated Voltage | 24V | |
| 3 | 相数 No. of Phase | 4 | |
| 4 | 每步转角 Step Angle | 7.5° | |
| 5 | 每转步数 No. of Step Per Revolution | 48 | |
| 6 | 相电阻 Resistance Per Phase | 100 ± 7% Ω | At 20°C |
| 7 | 电感 Inductance Per Phase | 61 ± 20% mH | At 1KHz |
| 8 | 相电流 Current Per Phase | 0.24A | |
| 9 | 保持转矩 Holding Torque | 800g. cm | |
| 10 | 牵入起动频率 Pull-in Rate | 340pps MIN | |
| 11 | 起动转矩 Pull-in Torque | 270g. cm | At 100pps |
| 12 | 绝缘电阻 Insulation Resistance | 100MΩ MIN | At DC 500V |
| 13 | 介电强度 Dielectric Strength | RMS for 2 Sec | At AC 650 ± 50V |
| 14 | 工作温度 Operating Temp Range | -10°C ~ 40°C | |
| 15 | 贮存温度 Storing Temp Range | -30°C ~ 80°C | |
| 16 | 定位力矩 Detent Torque | 210g. cm | |
| 17 | 转动惯量 Rotor Inertia | 9.6g. cm ² | |
| 18 | 步距角精度 Stepping Accuracy | 7.5° ± 7% | |
| 19 | 使用寿命 Life | 3000h MIN | At 20°C 200pps |
| 20 | 引出线规格 Lead Wire | UL1007 26# | |
| 21 | 重量 Weight | 132.5g | |
| 22 | 绝缘等级 Insulation Class | Class E | |



| Pin No. | WIRE COLOR | STEP | | | |
|---------|------------|------|---|---|---|
| 1 | 黄 YEL | - | - | - | - |
| 2 | 黑 BLK | - | - | - | - |
| 3 | 红 RED | + | + | + | + |
| 4 | 红 RED | + | + | + | + |
| 5 | 橙 ORG | - | - | - | - |
| 6 | 蓝 BLU | - | - | - | - |

| | | | |
|--------------------------|-------|--------------------------|-------|
| 42BY48L02 | | MAX MOTOR Co.,Ltd | |
| 设计 | 朱海霞 | 2007.06.18 | 工艺 |
| 审核 | | | 批准 |
| 标记处数 | 更改文件号 | 签字 | 日期 |
| 共 页 | 第 页 | 比例 | 1.5:1 |
| TEL: +86-755-84679112 | | FAX: +86-755-89361286 | |
| http://www.max-motor.com | | Email: max@max-motor.com | |